

JUAL

ANGULAR BOWL OUTLET



Angular bowl outlet with
bitumen membrane



Angular bowl outlet with
foil membrane

PRODUCT DESCRIPTION

JUAL Angular Bowl Outlet

APPLICATIONS:

For horizontal drainage of flat roofs with bitumen or foil membrane.

NOTICE: In case the standard outlet pipe is too short to penetrate the facade of the building, the horizontal outlet pipe can be extended by welding at JUAL.

MATERIALS:

Fully welded pipe and assembly ring in acid proof stainless steel EN 1.4401 (AISI 316).

Flange in stainless steel EN 1.4301 (AISI 304) for bitumen membrane or foil coated steel flange for foil membrane.

Membranes in SBS or APP bitumen as well as various foil types are integrated from the factory.

Installation and application must be conducted in accordance with current industry standards and compatibility with the roof's membrane must be secured.

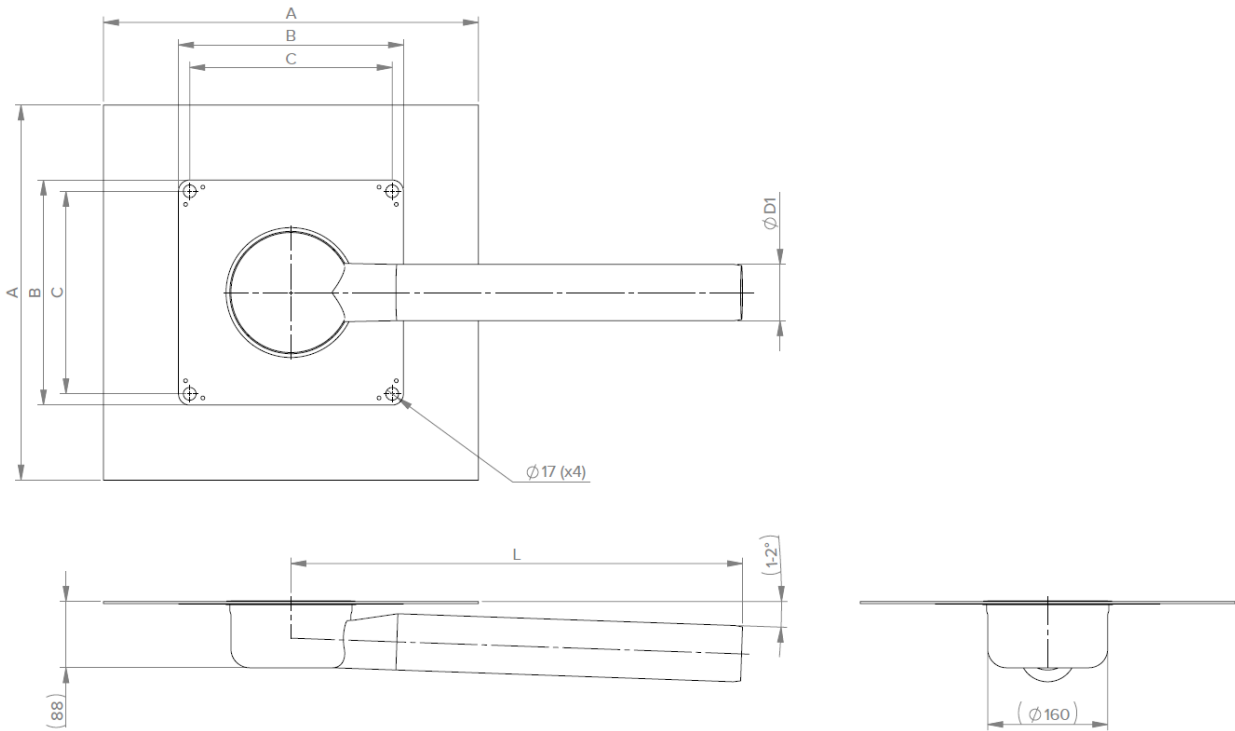
ARTICLE NUMBERS

TYPE:	EXT. DIA.:	LENGTH:	ARTICLE NUMBER:	MEMBRANE:
JUAL Angular Bowl Outlet	Ø50	600	6408050-600-xxx*	* "xxx" is the membrane code Ex.: SBS = 101 APP = 114 Foil = 2xx See membrane list at www.jual.dk
JUAL Angular Bowl Outlet	Ø63	600	6408063-600-xxx*	
JUAL Angular Bowl Outlet	Ø75	600	6408075-600-xxx*	
		3000	6408075-3000-xxx*	



TECHNICAL DATA SHEET

TECHNICAL INFORMATION



TYPE	ANGULAR BOWL OUTLET DIM. (mm)							
	ØD1	L	BITUMEN			FOIL		
			A	B	C	A	B	C
Ø50	50	600	500	300	270	*330/350/400	230	200
Ø63	63							
Ø75	75	600/3000						

*Depending on the foil type

ACCESSORIES

HEATING CABLE

JUAL Roof Outlets can be supplied with 230V heating cable. See separate data sheet for heating cable at www.jual.dk

LEAF GRATE

JUAL recommend installation of leaf grates which must be checked/cleaned at appropriate intervals. Drainage capacity depends upon the chosen leaf grate. Leaf grates are to be ordered separately.

Drainage capacity is found on separate data sheets at www.jual.dk

EXT. DIA.	APPLICATION (OUTLET DIA.)
Ø50	Ø50 socket / Ø63 insertion*
Ø63	Ø75 insertion*
Ø75	Ø75 socket / Ø90 insertion*

*Insertion into standard pipes without socket.