

JUAL

SOIL PIPE VENTILATION – INSERTION MODEL



PRODUCT DESCRIPTION

JUAL Soil Pipe Ventilation - insertion model

APPLICATION:

The soil pipe ventilation is used for ventilation and flashing of soil pipes which penetrate the roof construction and the roofing membrane. The soil pipe ventilation is a secure solution that provides both a watertight flashing of the roofing membrane and an airtight extension of the soil pipe above the roof.

MATERIAL:

Fully welded pipe and assembly ring in acid proof stainless steel AISI 316 / EN 1.4401.

Flange in stainless steel AISI 304/EN 1.4301 for bitumen membrane or foil coated steel flange for foil membrane.

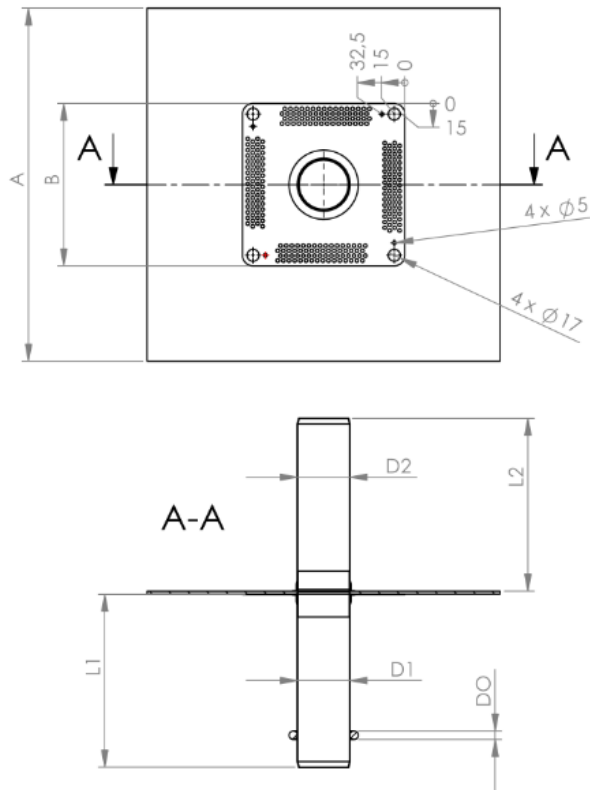
Membranes in SBS or APP bitumen as well as various foil types are integrated from the factory.

Installation and application must be conducted in accordance with current industry standards.



TECHNICAL DATA SHEET

TECHNICAL SPECIFICATIONS & ARTICLE NUMBERS



Soil Pipe Ventilation – Insertion model											
Type	D1 [Ø mm]	D2 [Ø mm]	A [mm]	B [mm]	O-ring D0 [Ømm]	D1	L1 [mm]	L2 [mm]	Article number	Membran- Overview	
						Fits in Pipe.					
Soil Pipe Ventilation ø40-50	40	50	Bitumen 500x500	230	5	50	250	300	78040-xxx	"xxx" is the membrane code Ex.: SBS: code 101 APP: code 114 Membrane list is to found at www.jual.dk	
Soil Pipe Ventilation ø50-50	50	50		230	8	63	250	300	78050-xxx		
Soil Pipe Ventilation ø63-63	63	63		230	6	75	250	300	78063-xxx		
Soil Pipe Ventilation ø63-75	63	75		230	6	75	250	300	78075-63-xxx		
Soil Pipe Ventilation ø75-75	75	75		230	8	90	250	300	78075-xxx		
Soil Pipe Ventilation ø90-90	90	90		230	10	110	250	300	78090-xxx		
Soil Pipe Ventilation ø90-110	90	110		Foil 300x330 til 400x400	230	10	110	250	300		78110-90-xxx
Soil Pipe Ventilation ø110-110	110	110			230	10	125	250	300		78110-xxx
Soil Pipe Ventilation ø110-125	110	125			230	7	125	250	300		78125-110-xxx
Soil Pipe Ventilation ø125-125	125	125			230	7	140	250	300		78125-xxx
Soil Pipe Ventilation ø125-160	145	160			300	8	160	250	300		78160-145-xxx
Soil Pipe Ventilation ø160-160	160	160			300	9	180	250	300		78160-xxx
Soil Pipe Ventilation ø180-200	180	200	300		10	200	250	300	78200-180-xxx		
Soil Pipe Ventilation ø200-200	200	200	300		10	220	250	300	78200-xxx		