

JUAL

RECTANGULAR ROOF OUTLET – PLANE FLANGE



PRODUCT DESCRIPTION

JUAL Rectangular Roof Outlet – Plane flange

APPLICATION:

To be installed in the parapet as emergency outlet in a level above the roof surface.

NOTICE: In case the standard outlet pipe is too short to penetrate the facade of the building, the horizontal outlet pipe can be extended by welding at JUAL.

MATERIALS:

Pipe and protection ring in acid proof stainless steel AISI 316/EN 1.4401.

Flange in stainless steel AISI 304/EN 1.4301 for bitumen membrane.

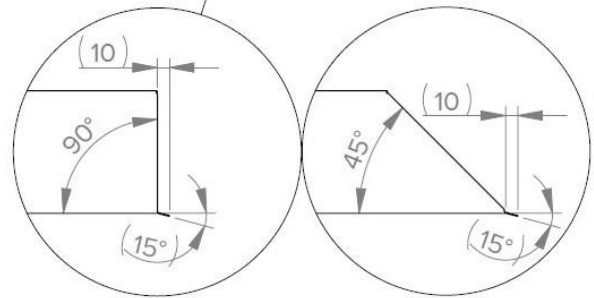
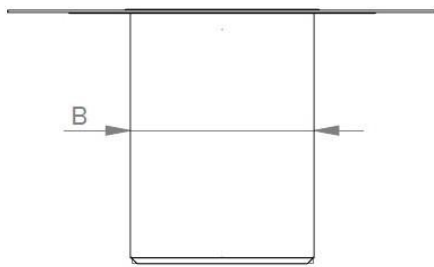
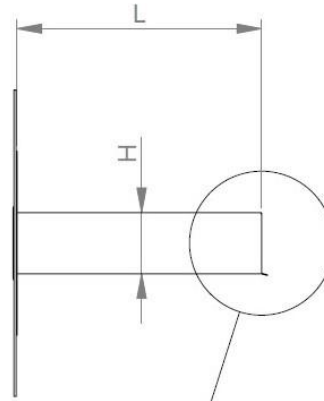
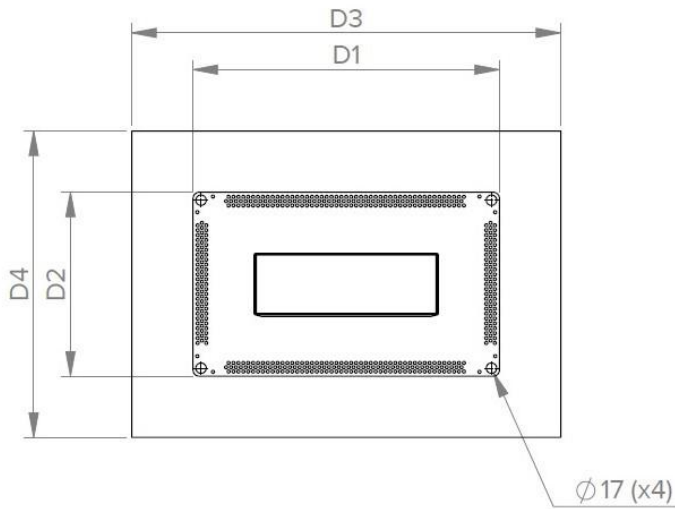
SBS or APP bitumen is integrated from the factory.

Installation and application must be conducted in accordance with current industry standards and compatibility with the roof's membrane must be secured.



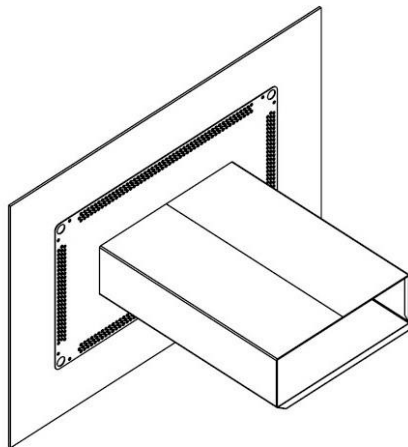
TECHNICAL DATA SHEET

TECHNICAL INFORMATION

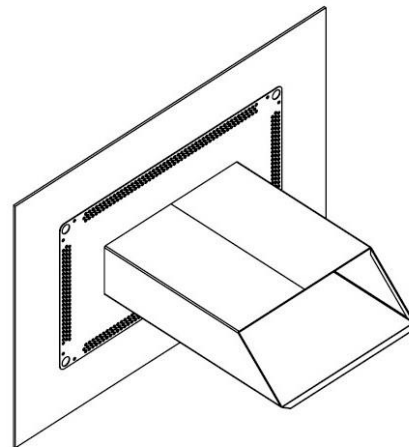


90° pipe end

45° pipe end



90° pipe end



45° pipe end

ARTICLE NUMBERS

ARTICLE NUMBERS		RECTANGULAR ROOF OUTLET DIM. (mm)				WEIGHT (kg)	
90° pipe end	45° pipe end	W x H x L	D1	D2	D3		D4
660770560400-xxx	670770560400-xxx	77x56x400	230	230	500	500	2,0
660770560600-xxx	670770560600-xxx	77x56x600	230	230	500	500	2,5
660950560400-xxx	670950560400-xxx	95x56x400	230	230	500	500	2,1
660950560600-xxx	670950560600-xxx	95x56x600	230	230	500	500	2,5
661500500400-xxx	671500500400-xxx	150x50x400	350	250	600	500	2,8
661500500600-xxx	671500500600-xxx	150x50x600	350	250	600	500	3,3
661500501000-xxx	671500501000-xxx	150x50x1000	350	250	600	500	4,3
661501000400-xxx	671501000400-xxx	150x100x400	350	300	600	500	3,1
661501000600-xxx	671501000600-xxx	150x100x600	350	300	600	500	3,7
661501001000-xxx	671501001000-xxx	150x100x1000	350	300	600	500	5,0
662000500400-xxx	672000500400-xxx	200x50x400	400	250	600	500	3,2
662000500600-xxx	672000500600-xxx	200x50x600	400	250	600	500	3,8
662000501000-xxx	672000501000-xxx	200x50x1000	400	250	600	500	5,1
662150070400-xxx	672150070400-xxx	215x70x400	415	270	700	500	3,6
662150070600-xxx	672150070600-xxx	215x70x600	415	270	700	500	4,3
6621500701000-xxx	6721500701000-xxx	215x70x1000	415	270	700	500	5,7
662400500400-xxx	672400500400-xxx	240x50x400	440	250	700	500	3,6
662400500600-xxx	672400500600-xxx	240x50x600	440	250	700	500	4,4
662400501000-xxx	672400501000-xxx	240x50x1000	440	250	700	500	5,8
663001000400-xxx	673001000400-xxx	300x100x400	500	300	700	500	4,2
663001000600-xxx	673001000600-xxx	300x100x600	500	300	700	500	5,2
663001001000-xxx	673001001000-xxx	300x100x1000	500	300	700	500	7,3
664001000400-xxx	674001000400-xxx	400x100x400	600	300	900	500	5,2
664001000600-xxx	674001000600-xxx	400x100x600	600	300	900	500	6,5
664001001000-xxx	674001001000-xxx	400x100x1000	600	300	900	500	9,1
665001000400-xxx	675001000400-xxx	500x100x400	700	300	900	500	5,9
665001000600-xxx	675001000600-xxx	500x100x600	700	300	900	500	7,4
665001001000-xxx	675001001000-xxx	500x100x1000	700	300	900	500	10,5

ACCESSORIES

LEAF GRATE

JUAL recommend installation of leaf grates which must be checked / cleaned at appropriate intervals.

Leaf grates are to be ordered separately (Article number 72000HR-(pipe width)).

