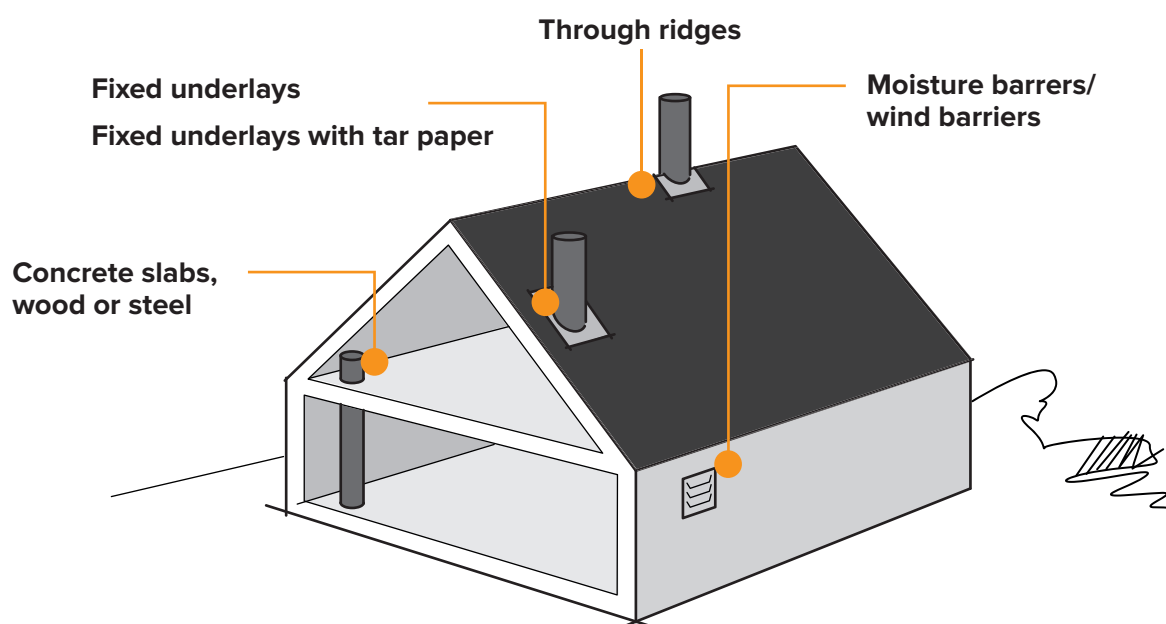


JUAL MEMBRANE BUSHING



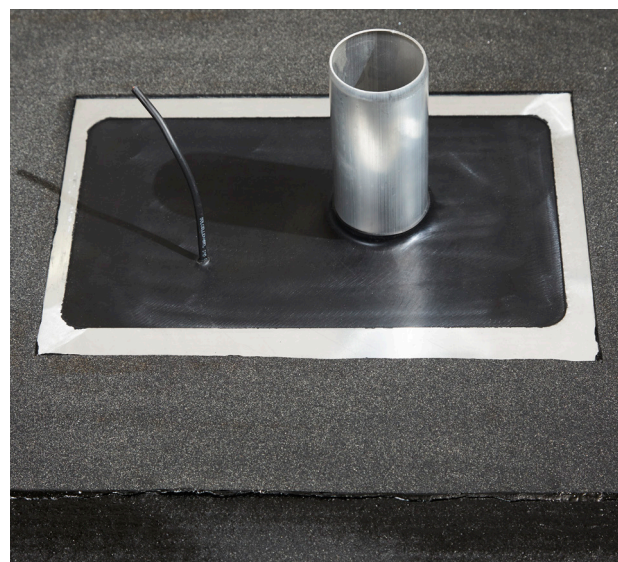
Used for bushings at...



- Flexible use
- Allows for building regulations to be followed
- Completely sealed bushings
- Installation on all common materials

JUAL membrane bushings are used when tightly sealed solutions are required for the passage of pipes or cables. The membrane bushings have wide areas of application and are a quick, simple and secure way to make bushings in vapour barriers, ceilings, roofs, wind barriers, concrete slabs and floor dividers.

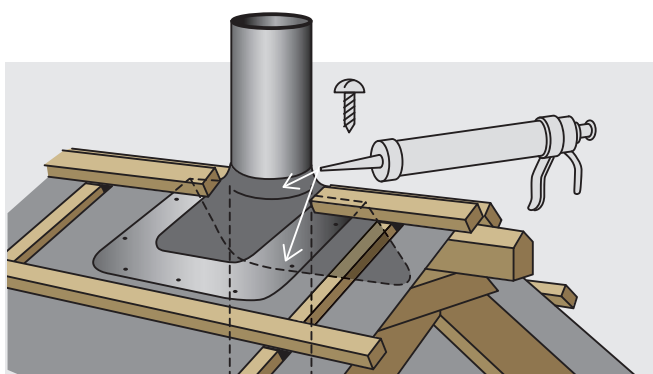
JUAL membrane bushing is made of 1.0 mm aluminium frame integrated into a special flexible EDPM membrane.



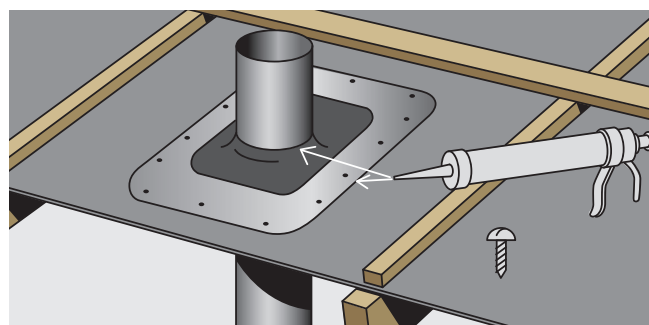
JUAL MEMBRANE BUSHING



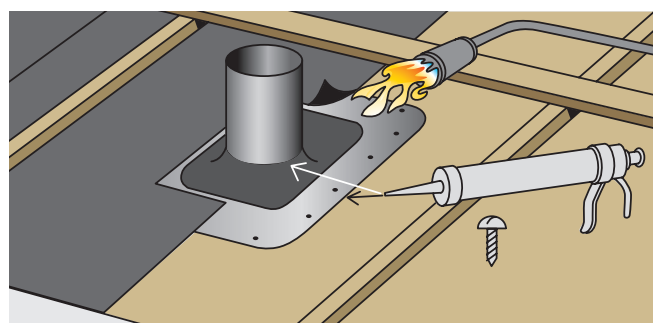
Applications



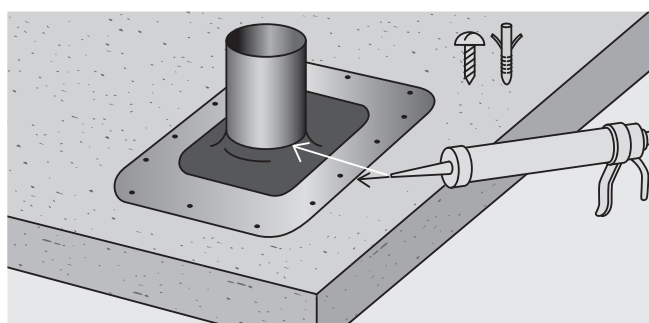
Through ridges



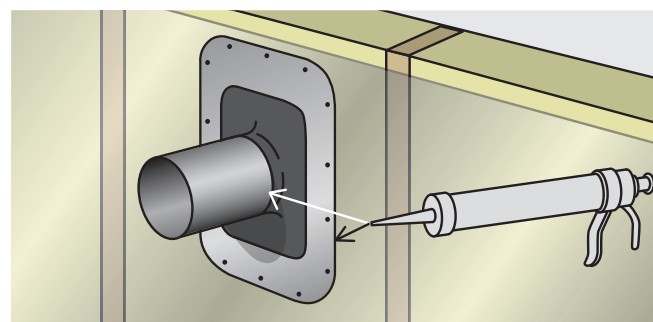
Fixed underlays



Fixed underlays with tar paper



Concrete slabs, wood or steel



Moisture barriers/wind barriers

JUAL
Membrane bushing is
manufactured for JUAL by:

Perform A/S
Ndr. Stationsvej 4
DK-8721 Daugård