

JUAL

RECTANGULAR ROOF OUTLET-90° BENT FLANGE



PRODUCT DESCRIPTION

JUAL Rectangular Roof Outlet – 90° bent flange

ANVENDELSE:

For drainage of flat roofs with bitumen membrane. To be installed through the parapet.
Made with 90° bent flange for installation at roof level.

NOTICE: In case the standard outlet pipe is too short to penetrate the facade of the building, the horizontal outlet pipe can be extended by welding at JUAL.

MATERIALS:

Pipe and protection ring in acid proof stainless steel AISI 316/EN 1.4401.
Flange in stainless steel AISI 304/EN 1.4301 for bitumen membrane.

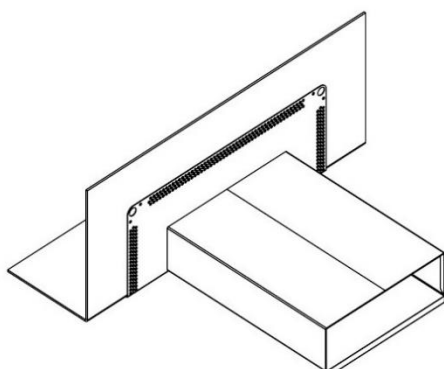
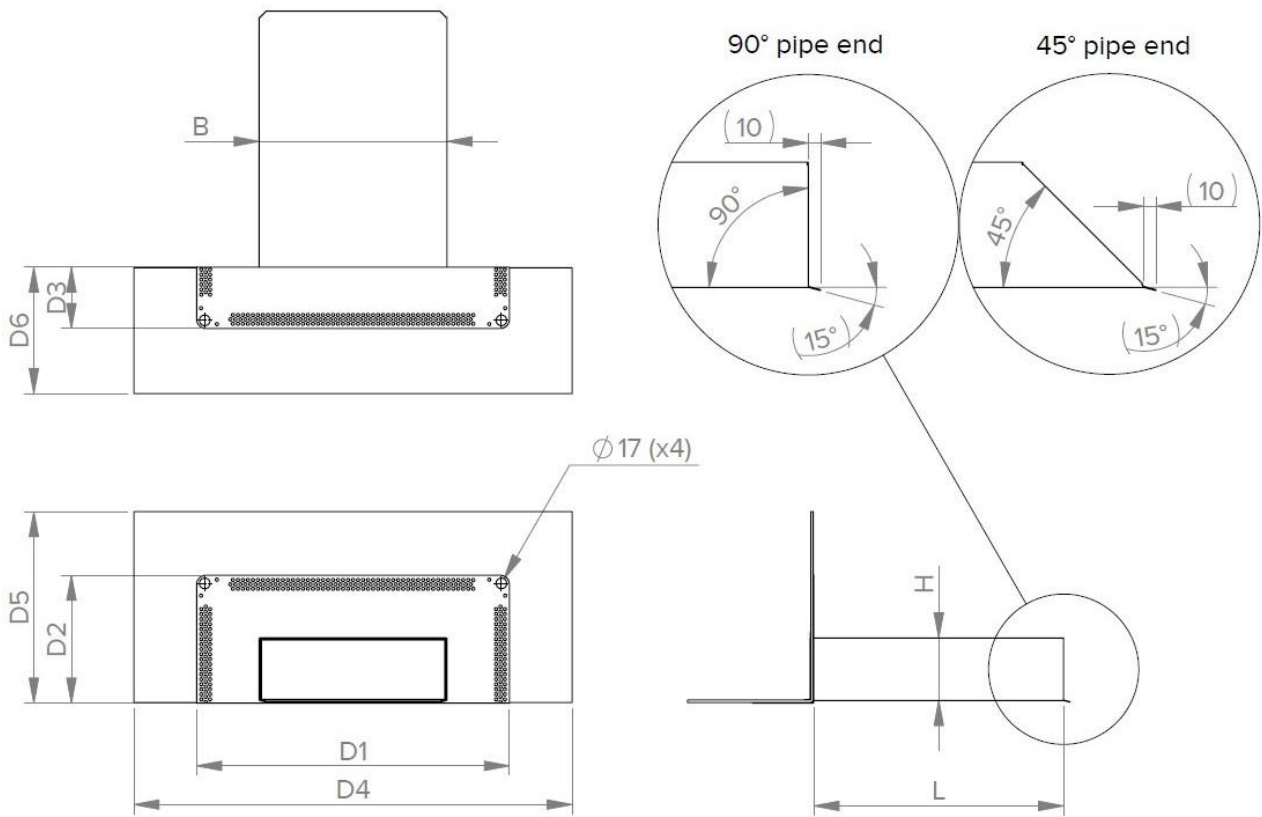
SBS or APP bitumen is integrated from the factory.

Installation and application must be conducted in accordance with current industry standards and compatibility with the roof's membrane must be secured.

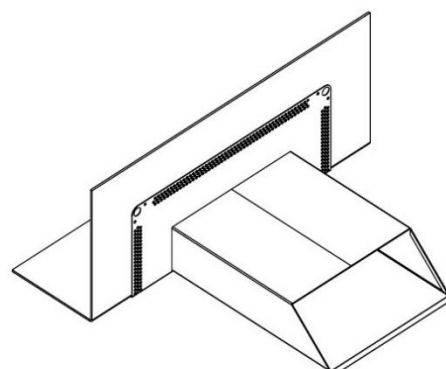


TECHNICAL DATA SHEET

TECHNICAL INFORMATION



90° pipe end



45° pipe end



TECHNICAL DATA SHEET

ARTICLE NUMBERS

ARTICLE NUMBERS		RECTANGULAR ROOF OUTLET DIM. (mm)							WEIGHT (kg)
90° pipe end	45° pipe end	W x H x L	D1	D2	D3	D4	D5	D6	
680770560400-xxx	690770560400-xxx	77x56x400	230	145	85	500	280	220	2,0
680770560600-xxx	690770560600-xxx	77x56x600	230	145	85	500	280	220	2,5
680950560400-xxx	690950560400-xxx	95x56x400	230	145	85	500	280	220	2,1
680950560600-xxx	690950560600-xxx	95x56x600	230	145	85	500	280	220	2,5
681500500400-xxx	691500500400-xxx	150x50x400	350	150	100	600	275	225	2,8
681500500600-xxx	691500500600-xxx	150x50x600	350	150	100	600	275	225	3,3
681500501000-xxx	691500501000-xxx	150x50x1000	350	150	100	600	275	225	4,3
681501000400-xxx	691501000400-xxx	150x100x400	350	200	100	600	300	200	3,1
681501000600-xxx	691501000600-xxx	150x100x600	350	200	100	600	300	200	3,7
681501001000-xxx	691501001000-xxx	150x100x1000	350	200	100	600	300	200	5,0
682000500400-xxx	692000500400-xxx	200x50x400	400	150	100	600	275	225	3,2
682000500600-xxx	692000500600-xxx	200x50x600	400	150	100	600	275	225	3,8
682000501000-xxx	692000501000-xxx	200x50x1000	400	150	100	600	275	225	5,1
682150700400-xxx	692150700400-xxx	215x70x400	415	170	100	700	285	215	3,6
682150070600-xxx	692150070600-xxx	215x70x600	415	170	100	700	285	215	4,3
682150701000-xxx	692150701000-xxx	215x70x1000	415	170	100	700	285	215	5,7
682400500400-xxx	692400500400-xxx	240x50x400	440	150	100	700	275	225	3,6
682400500600-xxx	692400500600-xxx	240x50x600	440	150	100	700	275	225	4,4
682400501000-xxx	692400501000-xxx	240x50x1000	440	150	100	700	275	225	5,8
683001000400-xxx	693001000400-xxx	300x100x400	500	200	100	700	300	200	4,2
683001000600-xxx	693001000600-xxx	300x100x600	500	200	100	700	300	200	5,2
683001001000-xxx	693001001000-xxx	300x100x1000	500	200	100	700	300	200	7,3
684001000400-xxx	694001000400-xxx	400x100x400	600	200	100	900	300	200	5,2
684001000600-xxx	694001000600-xxx	400x100x600	600	200	100	900	300	200	6,5
684001001000-xxx	694001001000-xxx	400x100x1000	600	200	100	900	300	200	9,1
685001000400-xxx	695001000400-xxx	500x100x400	700	200	100	900	300	200	5,9
685001000600-xxx	695001000600-xxx	500x100x600	700	200	100	900	300	200	7,4
685001000400-xxx	695001000400-xxx	500x100x1000	700	200	100	900	300	200	10,5

ACCESSORIES

LEAF GRATE

JUAL recommend installation of leaf grates which must be checked / cleaned at appropriate intervals.

Leaf grates are to be ordered separately (Article number 72000HR - (pipe width)).

