

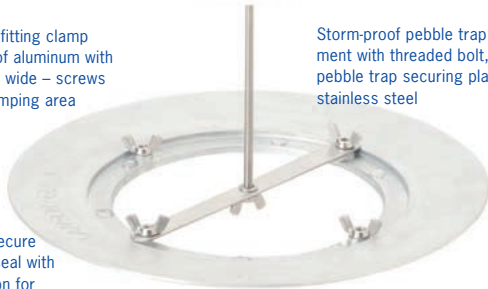
■ Clamp flange drain DN 150

The original one!

Very large pebble trap reduces the risk of a blockage to a minimum



Larger better fitting clamp flange made of aluminum with clamp 45 mm wide – screws are out of clamping area



Storm-proof pebble trap attachment with threaded bolt, nuts and pebble trap securing plate, all in stainless steel

Absolutely secure combination seal with double function for flange pressing and anti-flowback seal



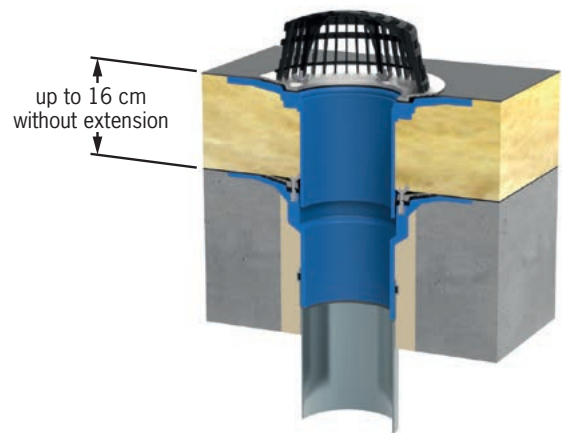
Drain made of PUR

Clamp flange drain made of PUR

CFC-frei, with pebble trap, clamp flange and combi-seal. **Also heatable** via an integrated, self-regulating 230 V PTC heating element, performance up to max. 10 W. We recommend using the frost switch base set (Art. No. 5922, see page 73) in connection with our heatable drains.

Extension element with clamp flange and flange pressing seal suitable for all clamp flange drains.

Installation example



Clamp flange drain DN 150 with an extension element in an insulated roof

The perfect combination of quality and technology!

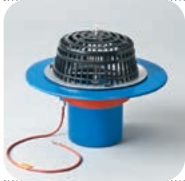
- Unravel the roof sheeting, cut the hole, fit the flange - finished
- The new clamp flange-technology with the new rubber seals ensures an absolutely secure connection with any roof covering!
- Grumbach clamp flange drains fit into nearly any type of roof and roof covering. There are extra parts for insulated roofs, inverted roofs, porch roofs and green roofs, etc.

Dimension | Art. No.



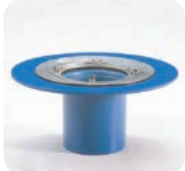
Clamp flange drain (PUR)

vertical:
DN 150 **2008**



Clamp flange drain (PUR)

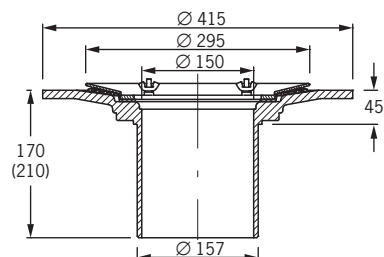
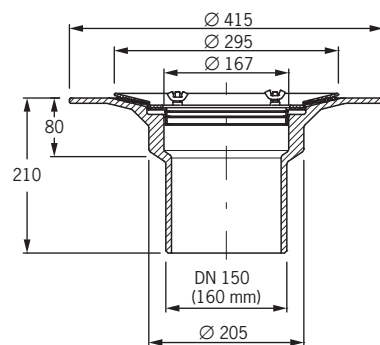
vertical
heatable (230V):
DN 150 **2028.2**



Extension element

up to 12 cm **2080**
up to 16 cm **2081**

Technical data



Art. No.	Drainage capacity*
2008, 2028.2	10,0 l/s (45 mm)

*Drainage capacity acc. to DIN EN 12532 in litres per second (at accumulation height in millimeters)