



This installation instruction is made available by JUAL A/S

PERFORM®

membrane bushing

Fixing Instructions

PERFORM membrane bushing

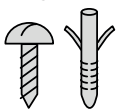
Dimensions

PERFORM membrane bushing is available in seven different sizes.

Max. pipe diameter in mm	B x L	VVS nr.
Ø 110	150 x 230 mm	288071011
Ø 200	240 x 390 mm	288071020
Ø 315	340 x 565 mm	288071032
Ø 405	445 x 750 mm	288071041
Ø 450	490 x 790 mm	288071045
Ø 560	620 x 1000 mm	288071056
Ø 710	750 x 1280 mm	288071071

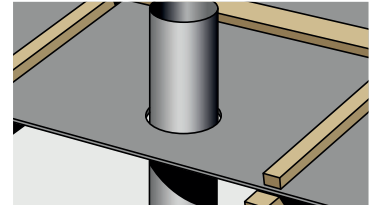
Mounting

For installation, always use PERFORM adhesive on the back of the membrane bushing. When installing on a storey partition, a ridge or on a roof with a solid underroof, the PERFORM membrane bushing can also be secured with screws for additional sealing security.

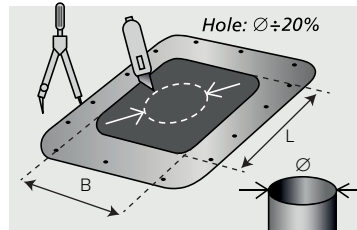


Prior to installation

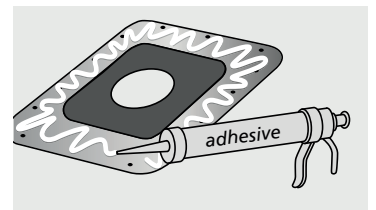
The following three steps apply to any project in which you are sealing with PERFORM membrane bushing. Follow these steps. Further details applicable to specific projects can be found below and overleaf.



1 Make sure that you are able to cover the whole of the pipe hole with the seal. Ensure that the surface is free of dust etc.



2 Cut the hole in the membrane bushing approx. 20% smaller than the pipe diameter.



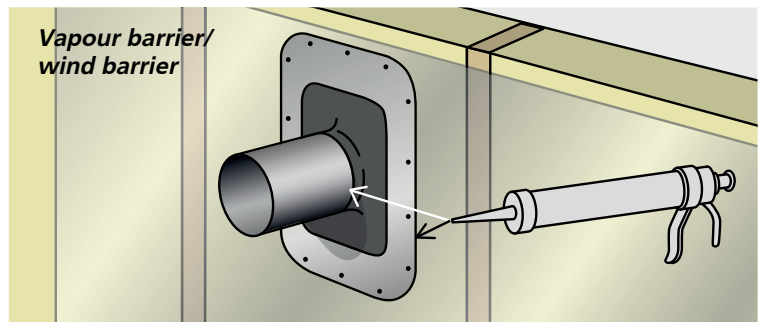
3 Ensure that the back of the membrane is clean, dry and free of grease and dust. Apply the adhesive evenly over the back of the membrane before passing it over the pipe, duct or cable.

How to install PERFORM membrane bushing



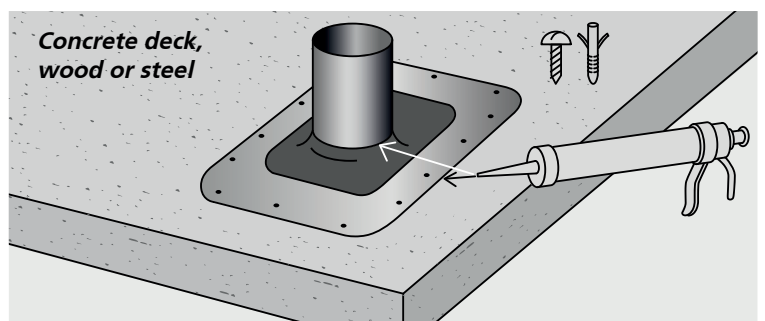
Wall

1. Clean the surface of the vapour barrier or wind barrier thoroughly.
2. Pass the membrane bushing over the pipe, and press it securely into place on the wall.
3. Ensure that the membrane bushing seals tightly around the pipe.
4. After installation, carry out jointing where the pipe meets the membrane.



Storey partition

1. Clean the surface of the storey partition thoroughly.
2. Pass the membrane bushing over the pipe, and press it securely into place on the storey partition.
3. Screw the membrane bushing to the storey partition through the holes, if required.
4. Ensure that the membrane bushing seals tightly around the pipe.
5. After installation, carry out jointing where the pipe meets the membrane.

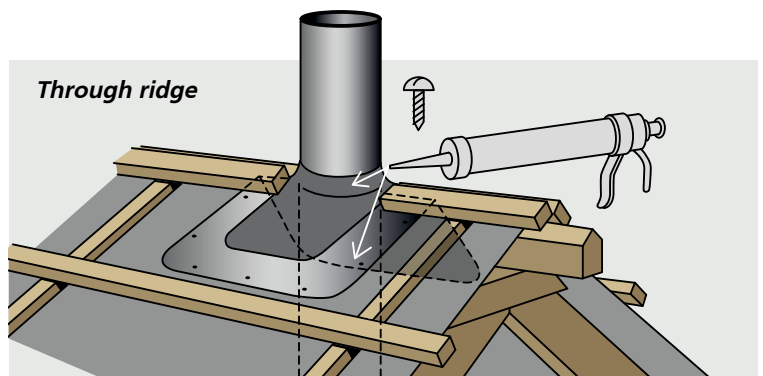


How to install PERFORM membrane bushing



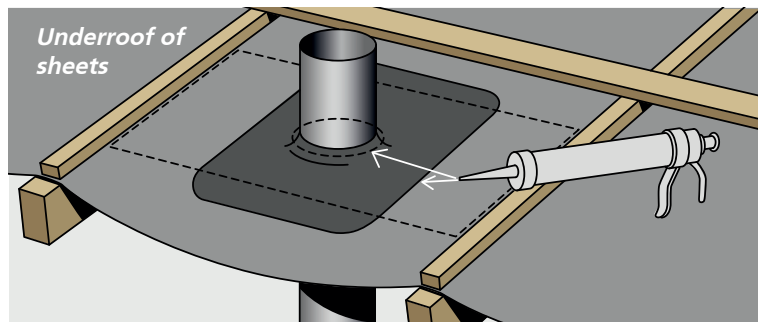
Roof – ridge

1. Bend the membrane bushing in the middle to align the angle to the roof.
2. Adjust the top batten to allow plenty of space for installation.
3. Pass the membrane bushing over the pipe, and press it firmly down onto the underroof,
4. Screw the membrane bushing to the underroof, if required.
5. Ensure that the membrane bushing seals tightly around the pipe.
6. After installation, carry out jointing where the pipe meets the membrane.



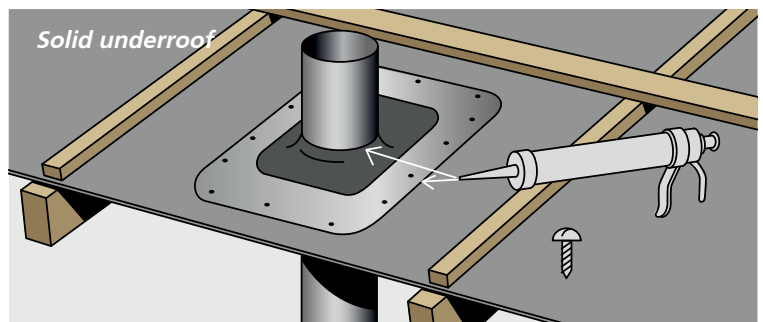
Roof – sheets

1. Secure a plate under the sheet - as underlay for the membrane bushing.
2. Clean the surface of the underroof and stretch the foil well around the pipe.
3. Pass the membrane bushing over the pipe, and press it firmly down onto the underroof.
4. Ensure that the membrane bushing seals tightly around the pipe.
5. After installation, carry out jointing where the pipe meets the membrane.



Roof – Solid

1. Pass the membrane bushing over the pipe, and press it firmly down onto the underroof.
2. Screw the membrane bushing to the underroof through the holes, if required.
3. Ensure that the membrane bushing seals tightly around the pipe.
5. After installation, carry out jointing where the pipe meets the membrane.



Roof – solid/felt

1. Pass the membrane bushing over the pipe, and press it firmly down onto the underroof.
2. Screw the membrane bushing to the underroof through the holes, if required.
3. Ensure that the membrane bushing seals tightly around the pipe.
4. Burn the roofing felt directly onto the metal frame of the membrane bushing.
5. After installation, carry out jointing where the pipe meets the membrane.

