

# ECO PLUVIAL CATCH-PIT



## INDEX

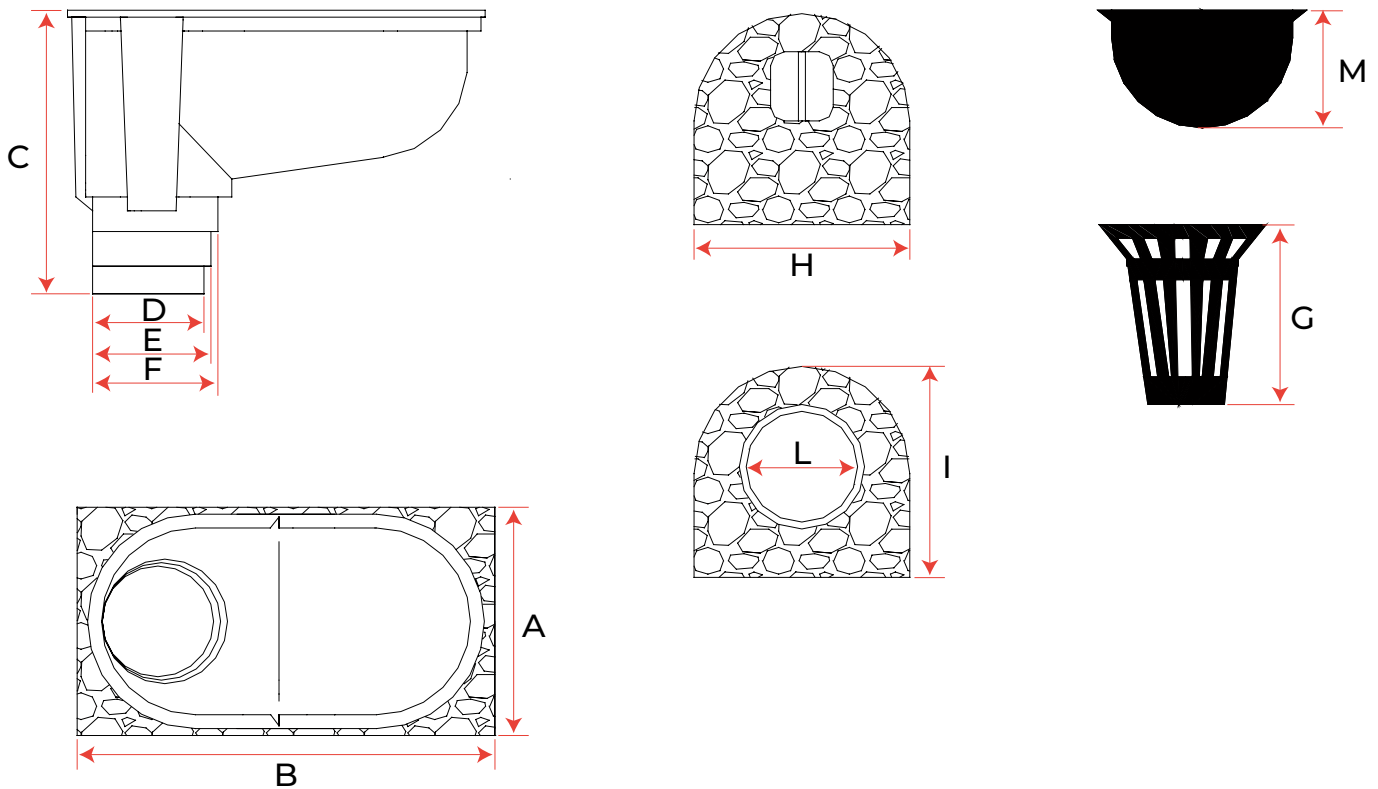
1. Code registry
2. Use
3. Technical specification

## 1. CODE REGISTRY

Code	Description	Dimensions (mm)	Weight	Colour	Pkg. / Pallet
TER06-1386	Eco-Pluvial Catch-Pit	235 x 125 x 220	0,592 kg/pc.	Grey	18 pc. / 240 pcs
TER06-1386N	Eco-Pluvial Catch-Pit - Black	235 x 125 x 220	0,540 kg/pc.	Black	18 pc. / 240 pcs
TER06-1386M	Eco-Pluvial Catch-Pit - Brown	235 x 125 x 220	0,540 kg/pc.	Brown	18 pc. / 240 pcs

### MATERIAL

Made of PP (polypropylene).



	A	B	C	D	E	F	G	H	I	L	M	
<b>TER06-1386</b>	163	300	208	100	108	115	150	150	140	80 - 125	90	mm
<b>TER06-1386N</b>	163	300	208	100	108	115	150	150	140	80 - 125	90	mm
<b>TER06-1386M</b>	163	300	208	100	108	115	150	150	140	80 - 125	90	mm

# ECO PLUVIAL CATCH-PIT

## 2. USE

Used as an element for the collection of rainwater from the rain pipe of the gutter, directly connected to the water system in the ground.

## 3. TECHNICAL SPECIFICATION

Specification	Description	Unity	Price
<b>Dak.D.TER06.1386x</b>	Supply and installation of eco-pluvial catch-pit is an item for the collection and vertical runoff of the rain water. It allows the disposal of water from the rain pipe of the gutter. It consists of: · anti-reflux bulkhead; · removable leaf-guard to collect leaves or debris; · perimeter reinforced with counterforce; · cover with multi-diameter inlet predisposition (80-125 mm); · "open-closed" cover (customizable); · outlet diameter 80-100-110. Made of PP (polypropylene). Used as an element for the collection of rainwater from the rain pipe of the gutter, directly connected to the water system in the ground. Dimension 235 x 125 x 220 mm.....		
<b>Dak.D.TER06.1386</b>	Grey.....	pc.	-
<b>Dak.D.TER06.1386N</b>	Black.....	pc.	-
<b>Dak.D.TER06.1386M</b>	Brown.....	pc.	-