

JUAL

FLEX ROOF OUTLET



PRODUCT DESCRIPTION

JUAL Flex Outlet

APPLICATIONS:

JUAL Flex Outlet is used when a vertical outlet is not applicable due to the form of the roof. The flexible flange assures that the integrated bitumen membrane can be shaped to fit the roof's inclination and form.

MATERIALS:

Fully welded pipe and assembly ring in acid proof stainless steel AISI 316 / EN 1.4401.

The flange consists of a bitumen membrane with a supporting flange in flexible aluminum web.

Installation and application must be conducted in accordance with current industry standards and compatibility with the roof's membrane must be secured.

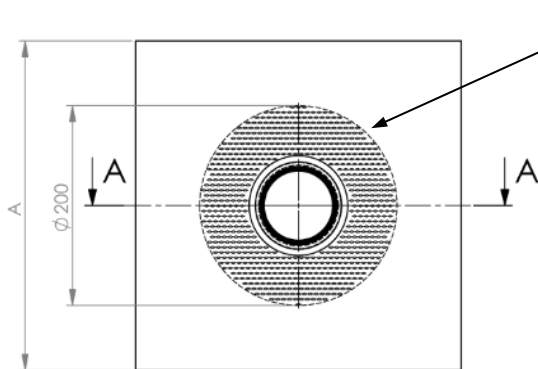
ARTICLE NUMBERS

TYPE	EXT. DIA.	250 MM PIPE	400 MM PIPE	600 MM PIPE	1000 MM PIPE
JUAL Flex Outlet	Ø50	60050-250-180	60050-400-180	60050-600-180	60050-1000-180
JUAL Flex Outlet	Ø63	60063-250-180	60063-400-180	60063-600-180	60063-1000-180
JUAL Flex Outlet	Ø75	60075-250-180	60075-400-180	60075-600-180	60075-1000-180
JUAL Flex Outlet	Ø90	60090-250-180	60090-400-180	60090-600-180	60090-1000-180
JUAL Flex Outlet	Ø110	60110-250-180	60110-400-180	60110-600-180	60110-1000-180



TECHNICAL DATA SHEET

TECHNICAL INFORMATION

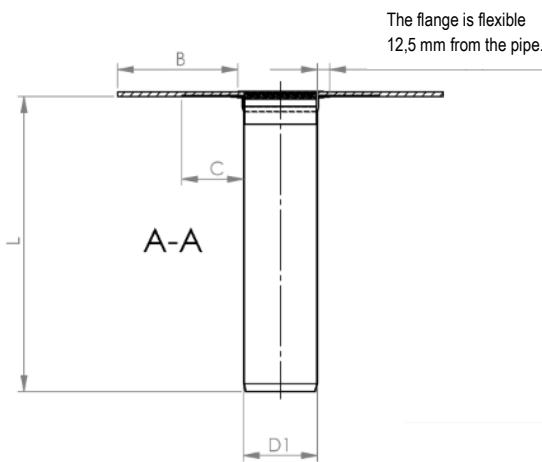


Supporting flange in flexible aluminum web

D1	A	B	C	L	APPLICATIONS (OUTLET DIA.)
Ø50	330	134	75	250*	Ø50 socket / Ø63 insertion**
Ø63		128	69	400*	Ø75 insertion **
Ø75		122	63	600*	Ø75 socket / Ø90 insertion **
Ø90		114	55	1000*	Ø90 socket / Ø110 insertion **
Ø110		104	45		Ø110 socket / Ø125 insertion **

*Pipe length 250, 400, 600 or 1000 mm. See table ARTICLE NUMBERS.

** Insertion into standard pipes without socket. O-ring in EPDM rubber is included for each outlet and pipe ends are bevelled for easy installation. For more information see JUAL's Roofer's Choice catalogue.



ACCESSORIES

LEAF GRATE

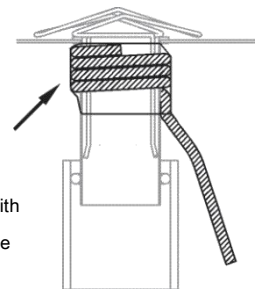
Leaf grates for Flex Outlets are chosen based on considerations regarding available space and its applications.

Drainage capacities for leaf grates are available on separate data sheets at www.jual.dk

HEATING CABLES

JUAL Flex Outlets can be supplied with 230V heating cable.

See separate data sheet for heating cable at www.jual.dk



JUAL Flex Outlet can be supplied with 230V heating cable

GENERALLY

The outlet is manufactured in accordance with the guidelines of EN1253 and EN1124 which specifies requirements for construction and function, and in accordance with DIN 18200 which specifies requirements for serial production.